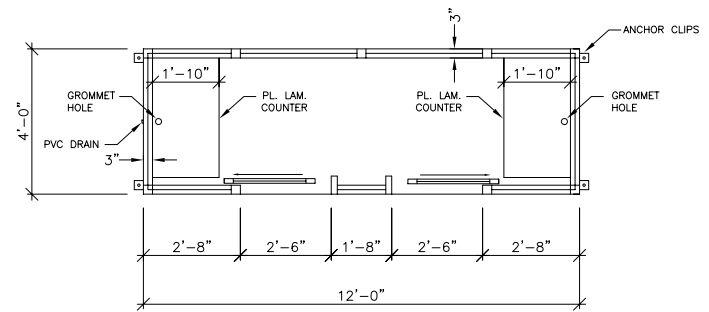



PLAN VIEW
MODEL 1001



PLAN VIEW
MODEL 1002

DATE:		DRAWN BY: SDG
SCALE:		REVISED:
PREFABRICATED SERVICE WRITER BOOTH		
 MARDAN FABRICATORS CORAL SPRINGS, FL		DRAWING NO. SK-1